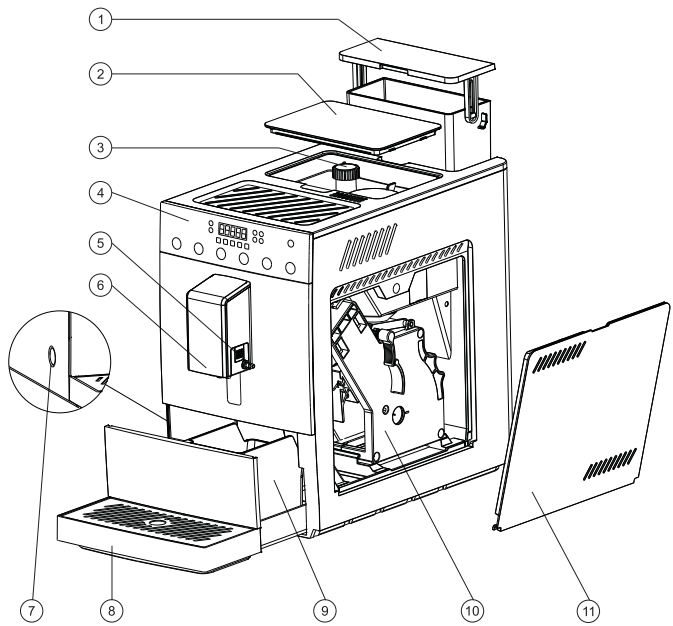


|    |   |    |
|----|---|----|
| EN | Automatic coffee machine - user manual .....            | 4  |
| PL | Automatyczny ekspres do kawy - instrukcja obsługi ..... | 12 |
| DE | Automatische Kaffeemaschine - Benutzerhandbuch .....    | 20 |

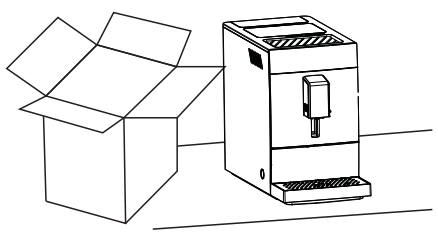
1



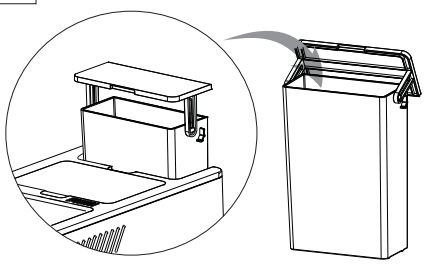
2



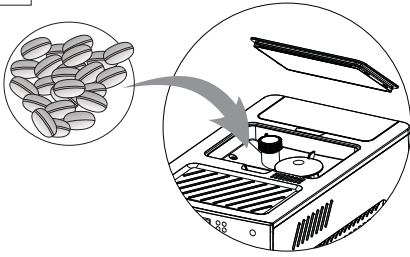
3



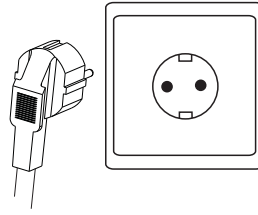
4



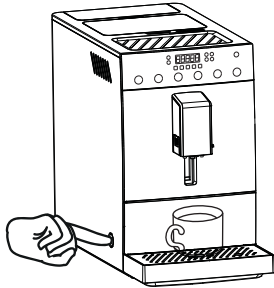
5



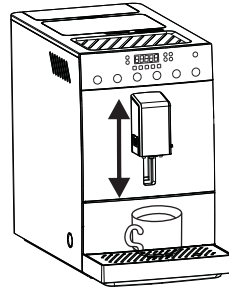
6



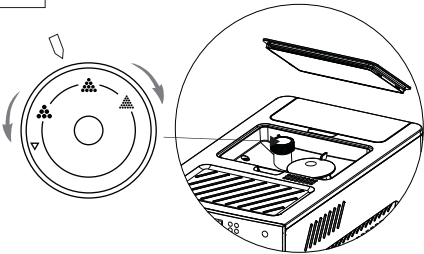
7



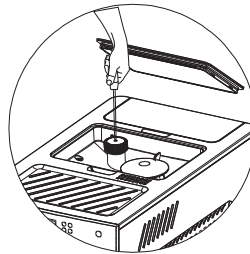
8



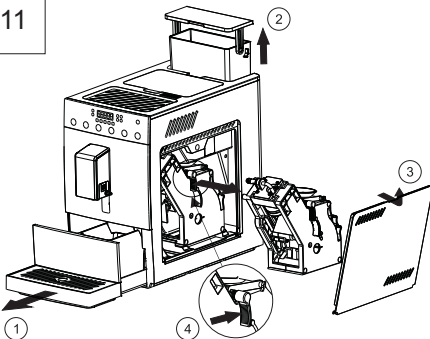
9



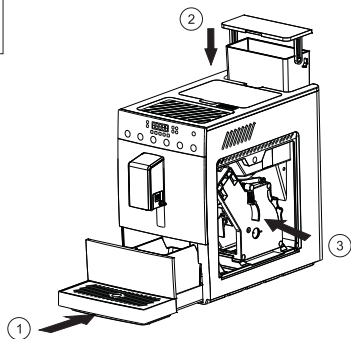
10



11



12



## Safety instructions

### Dangers

- This product is an electrical device and cannot be in contact with water: short circuit danger.
- Hot steam and hot water may scald the user. Do not shoot the steam and hot water directly at yourself or others.
- Pay special attention when touching the steam outlet: danger of scalding.
- It is strictly forbidden to soak the plug and power cord of this appliance in water or other liquid to prevent electric shock and fire. The cord used by this appliance should not be too long to prevent twisting or tearing. The use of an extension cord is not recommended, but if necessary the extension cord must be grounded and should be placed out of the reach of children.
- This machine cannot be used for any other purpose. Nor can it make any structural changes to the machine without authorization. It is strictly forbidden to operate this machine incorrectly; otherwise, it may cause undesirable consequences.
- If the machine is not used for a long time or before cleaning, the power should be disconnected. If cleaning is required, the standby device will cool down for a period of time before cleaning.

### Warnings

- It is forbidden to open the coffee machine for repair without authorization. If the coffee machine breaks down, it must be repaired by an authorized dealer.
- Please do not use the same power socket with other electrical appliances.
- This coffee machine can only be used by adults and people who have been correctly instructed. Do not touch the machine with charged objects! Otherwise, it may cause electric shock, injury, or death. The power supply voltage must match the machine's specified voltage.
- During the working process of the machine, it is prohibited to shake the machine and remove the protective parts of the machine (such as the right door) to prevent accidental injury.
- To avoid error prompts, you must be in the "standby interface" state to open the right door.
- Do not touch the hot spots on the coffee machine to avoid burns.
- To avoid personal injury to the operator due to burns, electric shocks, etc., the coffee machine should not be exposed to the power cord, power plug, or main body of the coffee machine.
- Please keep all kinds of packaging, cartons, and plastic bags away from children.
- Do not use the coffee machine outdoors.
- Do not hang the power cord on the edge of the table; it may cause the power cord to wear, leak, and cause personal injury to the operator.
- Please place the coffee machine on a fixed and stable surface and make sure that no one will turn over or be injured there. Do not place the machine on a hot surface or near flames to avoid damage to the machine.
- When using hot water, milk froth and other functions, high temperature liquid will flow out of the coffee outlet.
- Do not touch the high-temperature liquid with your hands to avoid burns.

### Prohibit

- Do not immerse the coffee machine in water.
- It is forbidden to use a voltage that does not match the electrical specifications of the coffee machine. Otherwise, it will cause the coffee machine to burn out.
- Only pure water at room temperature is allowed in the water tank, and other liquids, such as warm water, hot water, milk, etc., are prohibited.
- It is forbidden to add instant coffee, sugar, rice, soybeans, spices, chocolate beans, etc., into the bean box. Otherwise, the machine will be damaged.
- It is forbidden to use the coffee machine in an environment where the ambient temperature is below zero degrees Celsius. Otherwise, the coffee machine will be damaged if the water inside the coffee freezes.
- It is forbidden to embed the coffee machine in a small space because the coffee machine releases hot air.
- The machine should be placed on a flat workbench, and the surface, sides, and all parts of the machine should have at least 100MM of space.
- If the power cord is damaged, to avoid danger, consumers and other people are forbidden to replace and repair it, and it must be replaced by the manufacturer, authorized dealer, or professional from similar departments.

### Precautions

- This machine cannot be used by users (or children) with physical, sensible, intelligent problems or users without necessary experience or knowledge unless they are under supervision or guidance.
- Children shall be under supervision, and make sure they do not take the machine as a toy.

## Component Description

(illustration 1)

1. Water tank
2. Bean tank lid
3. Thickness adjustment knob
4. Control panel
5. Milk tube connection
6. Coffee nozzle
7. Power switch
8. Drip tray
9. Waste box
10. Brewing unit
11. Right door

## Control panel and indicators

(illustration 2)

1. Espresso
2. Americano
3. Cappuccino/Latte
4. Hot water/Milk
5. 2x/Clean/Confirm
6. Menu/Exit
7. Lack of coffee beans: when the "bean" icon lights up, it indicates the grinder is short of beans. Please add coffee beans!
8. Double cup: when the "x2" icon lights up indicates the double-cup is enabled. The current drink will be made 2 cups at a time. The 2nd cup will be stopped if the current drink is lack of beans.
9. Door open: when the "door" icon lights up indicates the right door open, please check the right door.
10. Lack of water: when the "lack of water" icon lights up indicates the water tank is short of water, please check if it has enough water.
11. Descaling: when the "descaling" icon lights up, it indicates the coffee machine lines need to be descaled.
12. Lack of brewing unit: When the "brewing unit" icon lights up, it indicates the brewing unit is not installed or put in place.
13. Grounds container: when the "grounds container" lights up indicates the grounds container is not put in or not installed in place or the grounds container is full and needs to empty. The system defaults to pouring the grounds once for every 8 cups of coffee.
14. LCD Display. Pipe water shortage warning: when the rectangular shape on display lights up, it means that there is no water passing through the internal pipeline of the machine. Please confirm that there is water in the water tank and that the water tank is installed well; press the "Menu/Exit" button to start the water pump to work again, to discharge the air in the pipeline, and to let the water pass through.

## Install and use for the first time

1. Unpack the package. Take out the machine and place it on a stable surface (illustration 3).
2. Take out and clean the water tank. Add purified water and restore it (illustration 4).
3. Add coffee beans into the bean tank (illustration 5).
4. Plug the machine (illustration 6).
5. Switch it on, test the machine, and clean the pipe (illustration 7). Warning: Hot water may dispense out! To switch it off, press the power switch for 3 seconds.
6. Touch the display buttons for operation.

## Making Espresso

1. Adjust the height of the coffee nozzle and put a coffee cup (illustration 8).
2. Touch the "Espresso" button to start brewing.
3. Adjust the amount of coffee powder and coffee in operation.

### Tips:

- In grinding, ("g" is displayed on the right of screen), click "+" or "-" button to adjust the amount of coffee powder. In brewing ("m" is displayed on the right of screen), click "+" or "-" to adjust the amount of coffee liquid.
- Click the "x2" button to make 2 cups of coffee.

- Click the "Menu/Exit" button to end the operation.

### Making Americano

1. Adjust the height of the coffee nozzle and put a coffee cup (illustration 8).
2. Touch the "Americano" button to start brewing.
3. Adjust the amount of coffee powder and coffee in operation.

#### Tips:

- In grinding, ("g" is displayed on the right of screen), click "+" or "-" button to adjust the amount of coffee powder. In brewing ("ml" is displayed on the right of screen), click "+" or "-" to adjust the amount of coffee liquid.
- Click the "x2" button to make 2 cups of coffee.
- Click the "Menu/Exit" button to end the operation.

### Making Cappuccino or Latte

1. Adjust the height of the coffee nozzle and put a coffee cup (illustration 8).
2. Make sure that one end of the milk tube is connected to the nozzle and the other end is inserted into the milk (or connected to the milk tank).
3. Touch "Cappuccino/Latte" to make cappuccino.
4. Long touch "Cappuccino/Latte" for 3 seconds to make a latte.

Attention: Please clean the foam dispenser promptly after the production is completed, Prevent the foam dispenser from being blocked by residual milk.

### Making Hot water or Milk

1. Adjust the height of the coffee nozzle and put a coffee cup (illustration 8).
2. Touch "Hot water/Milk" to start working.
3. Long touch "Hot water/Milk" for 3 seconds to make a glass of milk.
4. When the amount of hot water reaches the amount you need, press the "Menu/Exit" button to stop production.

**Notice:** Exchange milk for water. Clean it by making milk foam. Wipe the rod with a clean cloth to prevent milk from sticking to the inner wall or blocking the steam hole.

### Clean/Rinse

1. Adjust the height of the coffee nozzle and put a coffee cup (illustration 8).
2. Press "2x/Clean" for 3 seconds to start cleaning/rinse. It uses about 60 ml water and ends automatically when cleaning is done.

### Coffee powder adjustment

(illustration 9)

1. When you need to adjust the thickness of the coffee powder, please press the thickness adjustment knob to adjust when the grinder is running. Otherwise, the grinder may be damaged.
2. Please adjust the thickness of the coffee powder according to the roasting degree of the coffee beans you use (medium-roasted coffee beans are recommended); when making coffee, the coffee flow rate is very slow (the powder is too fine); please press the thickness adjustment knob Make fine adjustments in the coarse direction; when making coffee, the coffee flows out very quickly and the color of the outflow is very light (the powder is too coarse), please press the coarse and fine adjustment knob to make fine adjustments in the fine direction.
3. If the ground coffee powder is thick, press the thickness adjustment knob and adjust it counterclockwise; if the ground coffee powder is fine, press the thickness adjustment knob and adjust it clockwise.

**Notice:** Do not put too many beans or too long in the bean box: too long beans will affect the quality of the coffee, too many beans will get damp (especially when the weather is humid), will affect the grinder does not leave the powder, coffee cannot be brewed, or coffee is very weak.

**Notice:** Press the middle column of the Knob with a small driver, and keep pressing down, and then you can adjust the Knob to expand the range of thickness adjustment (illustration 10).

#### Tips:

- The Knob is set at the maximum value when off the production line. I suggest not adjusting it after the first 100-150 cups.

- Do not add too many coffee beans at one time or leave them for a long time to avoid damaging freshness or humidity (esp. on humid days). Humidity will prevent the grinding and brewing and affect the taste.
- Do replacement when beans are damp to ensure good taste. Then turn the Knob to maximum and test grinding. If the machine works properly, restore the Knob to its original position.
- Turn the Knob to maximum when coffee beans are not properly grinding with the possible reason of dampness or bean oil blockage, then try to add some green rice or professional grinder cleaners into the coffee bean tank and test grinding. If the machine works properly, restore the Knob to its original position.

### **Remove out group parts for cleaning**

(Illustration 11)

1. Take out the drip tray.
2. Pull up the water tank.
3. Pull out to open the right door.
4. Press here and pull out the brewing unit.

### **Reinstall group parts after clean**

(illustration 12)

1. Directly insert back the drip tray.
2. Straight down insert the water tank.
3. Push it down along the Groove until you hear a clicking sound.

**Attention:** When reinstall the brewing unit in the right position, there will be a click sound, if not hearing, please take down the brewing unit again and reinstall it. Check whether the water tank is on the same level as the machine's top flat. If not, please press down the water tank until it is completely inserted.

### **Brewing unit daily maintenance**

Take out the brewing unit, use running water to wash from top side, remove the coffee grounds on the surface of the piston filter. Suggest cleaning it manually in each 3 days! Do not remove the lubricating oil on the bottom and middle side of brewing unit. Do not use dishwasher for clean it!

It can be adopted with a professional oil-cleaning tablet for the coffee brewing unit. Take out the brewing unit, place the cleaning tablet into its chamber, restore the brewing unit, and operate a big cup of espresso (set in max volume). Then, take out the brewing unit and clean the remains manually.

### **Steam rod daily maintenance**

Timely cleaning is required after each milk foam function is completed. Cleaning methods: Use the method of making milk foam to absorb water directly and clean or remove and rinse the milk frother after using it every day.

It can be adopted with professional milk remains cleaning tablet/liquid.

### **Drip tray and grounds box daily maintenance**

Take out the drip tray and grounds box after using them every day, rinse them with running water, and then wipe them clean. No more than two days.

### **Water tank daily maintenance**

Rinse with running water every three days.

### **Bean tank/grinder daily maintenance**

Clean the bean tank weekly; please use a soft, dry cloth to wipe clean the coffee oil/remains inside. If a lot of coffee oil is found in the bean tank, it means a lot of oil might be inside the grinder. Clean the grinder in a timely if the grinding is not properly.

It can be adopted with a professional coffee oil/remains cleaning tablet for a coffee grinder. Place the cleaning tablet into the bean tank and operate a cup of espresso (set in maximum ground quantity). Then, take out the brewing unit and clean the remains inside manually.

## Powder channel daily maintenance

It is recommended to open the right door, take out the brewing unit, and clean the powder channel above the original location of brewing unit with a soft towel every week.

## Menu & Settings

In standby mode, press and hold the "Menu/Exit" button for 3 seconds to enter the setup interface.

### Espresso and Americano-related parameter settings

After entering the menu, the icons of Espresso and American will flash, and when you click on either drink, you can set the relevant parameters.

1. Click the "Espresso" button to enter the quantity of espresso powder adjustment interface. You can add or subtract the quantity of powder by pressing the "+" or "-" buttons, click the "Menu/Exit" button to enter the quantity of espresso flow adjustment interface, and you can adjust the quantity of coffee by pressing "+" or "-" button.
2. Click the "Americano" button to enter the quantity of the Americano powder adjustment interface. You can add or subtract the quantity of powder by pressing the "+" or "-" buttons. After that, click the "Menu/Exit" button to enter the quantity of espresso flow adjustment interface, and you can adjust the quantity of coffee by pressing the "+" or "-" button.
3. After the setting is complete, click the "Menu/Exit" button to enter the next step, and click continuously for 7 times can return to the standby interface.

### Temperature setting

After entering the menu interface, click the "Menu/Exit" button to enter temperature setting interface. You can press the "+" or "-" button to set the temperature of the coffee.

### Automatic shutdown time setting

After entering the menu interface, click the "Menu/Exit" button twice to enter timed shutdown setting interface, you can press "+" or "-" button to select the time, it can be set to 0.5h, 1h, 2h ... 24h.

### Initialization setting

After entering the menu interface, click the "Menu/Exit" button three times to enter the initialization setting interface; this function is for professional or after-sales personnel only.

### Manufacturing info

After entering the menu interface, click the "Menu/Exit" button 5 times, you can check the manufacturing info like date and lot number.

### Descale

1. Pour the descaling agent into a container with clean water and wait until it is completely dissolved.
2. Long press the "Menu/Exit" button, enter the setting condition, then press the "Menu/Exit" button continuously till the descaling icon shows up.
3. Open the left side door, take out the water tank, pour the descaling agent into the water tank, and then add clean water to the maximum position in the water tank.
4. Press the "Confirm" button to start descaling.
5. After the standby device shows emptying, take out the water tank and add clean water.
6. Press the "Confirm" button again, and the machine will enter the flushing cycle.
7. When the machine completes the flushing cycle, the machine will return to the standby interface.

### Product technical parameters

Model: Siena A23  
Voltage/frequency: 110V - 120V/220V - 240V, 50/60Hz  
Rating power: 1100 – 1350 W  
Pressure: 19 bar (pump)  
Bean container capacity: 100 g  
Water tank capacity: 1100 ml



Coffee grounds box capacity: 8 pcs  
Cable length: 1.0 m  
Net weight/Gross weight: 7.6/9.2 kg  
Product dimension (W x H x D: 19 x 31.7 x 39.5 cm

## Troubleshooting

If in the case that the machine falls to the ground and malfunctions, you should immediately unplug the machine from the power. If a mechanical failure to the machine should occur, you may contact your vendor or authorized dealer to resolve your problem. If the problem persists, only manufacturers, authorized dealers, or vendor technicians can repair the machine.

Manufacturers will not assume any responsibility for damages or malfunctions caused to the coffee machine by customers who have not complied with operating instructions or for general care maintenance of their coffee machine. If the coffee machine is faulty, immediately unplug the power cord and return the machine to a designated service center for repairs.

### Problem 1

The display shows the "water tank" icon.

Possible reason:

No water inside the water tank.

Solution:

Fill water into the water tank and insert the tank well - push the bottom side to the end.

Possible reason:

The water level sensor needs to be calibrated.

Solution:

When the machine is in standby condition: A) Remove the water tank. B) Remove the sticker on the reset button for the water level sensor on the corner of the water tank shell. C) Long press for 6 seconds of the reset button. D) plug out for power off. E) plug in and power on the machine after 10 seconds. F) insert water tank with full water.

### Problem 2

The display shows "running square line"; press the exit button, but no water is dispensing out.

Possible reason:

The water tank is not placed well.

Solution:

Insert the tank tank well - push the bottom side to the end.

Possible reason:

Water cannot enter the pump.

Solution:

Open the rear panel and inject water into the water pump- under the service guy's guide.

Possible reason:

The inside tube is blocked.

Solution:

Checking inside tubes (call service).

### Problem 3

Display shows "running square line", press exit button then water is dispensing out, but warning cannot be removed.

Possible reason:

The cables of the water flowmeter are losing, or the water flowmeter is broken.

Solution:

Open the rear panel and re-connect the cable of the water flowmeter; if it does not work, replace a new flowmeter.

### Problem 4

Coffee is watery/light.

Possible reason:

Too fine is the setting of the fineness knob inside the bean tank.

Solution:

Turn the Knob to more coarse.

Possible reason:

Once used, dark roasted beans or full oil beans bring sticky blades, and a few grounds are ground out.

Solution:

Adding valve during grinding process by "+" button, or call service to continue deep calibration from MENU.

Possible reason:

Damp coffee beans and grounds block the grinder.

Solution:

Remove the damp beans, clean the bean tank, and insert some dry beans/green rice/grinder cleaner for grinding.

**Problem 5**

No coffee out.

Possible reason:

The water tank is not placed well.

Solution:

Insert the tank well - push the bottom side to the end.

Possible reason:

The filter on the brewer piston is blocked.

Solution:

Clean the filter or replace it.

Possible reason:

The tubes inside the machine are blocked.

Solution:

Make descale operation. If not, fix the call service.

**Problem 6**

The grinder is not working.

Possible reason:

Grinder blocked by foreign bodies.

Solution:

Remove the foreign bodies from the grinder.

Possible reason:

Wires of grinder loss.

Solution:

Re-connect the wires of the grinder well - under the service guy's guide.

Possible reason:

The grinder motor is broken.

Solution:

Replace grinder - Call service.

**Problem 7**

The gearbox is not working (the brewer is not turning up).

Possible reason:

The transformer is broken.

Solution:

Replace power transformer - call service.

Possible reason:

The micro switch is broken.

Solution:

Replace microswitch - call service.

**Problem 8**

No milk foam after frothing.

Possible reason:

The air hole is blocked.

Solution:

Clean the air hole plug.

Possible reason:

Milk type is not suitable for frothing.

Solution:

Chose rich fat liquid milk.

**Warranty terms and conditions**

1. The warranty covers only latent defects attributable to the manufacturer.
2. The claim shall be processed by the point of sale or technical service under the warranty if the Customer produces:
  - a. a valid and clear warranty card filled in properly with a sale stamp and signature of the seller,
  - b. a valid proof of purchase with the date of sale,
  - c. the reported product or defective part. In the case of a remote purchase, the warranty card is valid solely with proof of purchase (receipt/invoice).
3. The claim is resolved within 14 days of the report by the Customer.
4. Manufacturing defects identified in the warranty period shall be repaired free of charge within 21 days following the delivery of the product to the point of sale or technical service.
5. If it is necessary to import parts for the repair, the warranty repair period may be extended by the time required to import the part, not longer than by 40 days.

6. Warranty exclusions:
  - a. mechanical damage and related defects,
  - b. damage and defects resulting from misuse and inappropriate storage, assembly, and maintenance,
  - c. damage and wear of such consumable elements,
  - d. activities related to the assembly or maintenance that are user's obligation in accordance with the manual.
7. The warranty shall not apply when:
  - a. it is past its validity period,
  - b. the Customer had repaired or modified the product using non-genuine parts,
  - c. the defect resulted from incorrect installation or a failure to follow the rules of correct operation by the manual,
  - d. the product is used for purposes other than household use,
  - e. damage occurred during transport.
8. No duplicates of the warranty card are issued.
9. The customer is entitled to the following compensation free of charge:
  - a. product repair,
  - b. product replacement,
  - c. reduced price,
  - d. termination of a contract and full cost compensation.
10. To report a claim:
  - a. Present the product or its reported part.
  - b. Present the proof of purchase with the name and address of the seller, date and place of purchase, type of product, or valid warranty card with a stamp of the point of sale.
  - c. If the product is delivered dirty, the technical service may refuse to accept it or clean it at the Customer's cost following their written approval.
11. If the claim is accepted, the device is repaired or replaced with a new one, or the Customer is reimbursed. Transport costs from the manufacturer's service covers service.
12. If the claim is rejected, the Customer is provided with a detailed justification for the decision and the equipment is sent to them at their cost within 14 days following the provision of the decision.

## **Utilization**

Handling of end-of-life waste from electrical and electronic equipment (WEEE legislation).

The marking on the packaging, accessories or instruction manual indicates that end-of-life equipment and attached electronic accessories should not be placed in municipal waste containers with other household waste.

Improper handling of electronic waste may result in contaminants entering the environment or health risks due to improper disposal. Separate this waste from other waste and recycle it so that the raw materials can be reused. For recycling, they are allowing the reuse of raw materials.

## Instrukcje bezpieczeństwa

### Niebezpieczeństwa

- Ten produkt jest urządzeniem elektrycznym i nie może mieć kontaktu z wodą; niebezpieczeństwo zwarcia.
- Gorąca para i gorąca woda mogą poparzyć użytkownika. Nie należy kierować strumienia pary lub gorącej wody bezpośrednio na siebie lub inne osoby.
- Należy zachować szczególną ostrożność podczas dotykania wylotu pary; niebezpieczeństwo poparzenia.
- Surowo zabrania się moczenia wtyczki i przewodu zasilającego tego urządzenia w wodzie lub innym płynie, aby zapobiec porażeniu prądem elektrycznym i pożarowi. Przewód używany przez to urządzenie nie powinien być zbyt długi, aby zapobiec skręceniu lub rozerwaniu. Nie zaleca się używania przedłużacza, ale jeśli jest to konieczne przedłużacz musi być uziemiony i należy go umieścić poza zasięgiem dzieci.
- To urządzenie nie może być używane do żadnych innych celów. Nie można również wprowadzać żadnych zmian konstrukcyjnych w urządzeniu bez upoważnienia. Surowo zabrania się nieprawidłowej obsługi tego urządzenia; w przeciwnym razie może to spowodować niepożądane konsekwencje.
- Jeśli urządzenie nie jest używane przez dłuższy czas lub jest przed czyszczeniem, należy odłączyć zasilanie. Jeśli wymagane jest czyszczenie, urządzenie musi najpierw ostygnąć.

### Ostrzeżenia

- Zabrania się otwierania ekspresu do kawy w celu naprawy bez upoważnienia. Jeśli ekspres do kawy ulegnie awarii, musi zostać naprawiony przez autoryzowanego sprzedawcę.
- Nie używaj tego samego gniazda zasilania z innymi urządzeniami elektrycznymi.
- Ten ekspres do kawy może być używany wyłącznie przez osoby dorosłe i osoby, które zostały prawidłowo poinstruowane. Nie wolno dotykać urządzenia naelektryzowanymi przedmiotami! W przeciwnym razie może to spowodować porażenie prądem, obrażenia ciała lub śmierć. Napięcie zasilania musi odpowiadać napięciu określoneemu przez urządzenie.
- Podczas pracy urządzenia nie wolno nim potrząsać ani zdejmować jego części ochronnych (takich jak prawe drzwiczki), aby zapobiec przypadkowym obrażeniom.
- Aby uniknąć komunikatów o błędach, musisz być w stanie "interfejsu gotowości", aby otworzyć prawe drzwi.
- Nie dotykaj gorących punktów ekspresu do kawy, aby uniknąć poparzeń.
- Aby uniknąć obrażeń ciała spowodowanych oparzeniami, porażeniem prądem elektrycznym itp. nie należy narażać ekspresu do kawy na stykanie się z gniazdkiem elektrycznym i wtyczką zasilania.
- Prosimy o trzymanie wszelkiego rodzaju opakowań, kartonów i plastikowych toreb z dala od dzieci.
- Nie używaj ekspresu do kawy na zewnątrz.
- Nie należy wieszć przewodu zasilającego na krawędzi stołu; może to spowodować zużycie przewodu zasilającego, wyciek i obrażenia ciała operatora.
- Ekspres do kawy należy umieścić na stałej i stabilnej powierzchni i upewnić się, że nikt się na nim nie przewróci ani nie odniesie obrażeń. Nie należy umieszczać ekspresu na gorącej powierzchni lub w pobliżu płomieni, aby uniknąć uszkodzenia urządzenia.
- Podczas korzystania z gorącej wody, spieniania mleka i innych funkcji, z wylotu kawy wydostaje się plyn o wysokiej temperaturze.
- Nie dotykaj cieczy o wysokiej temperaturze rękami, aby uniknąć poparzeń.

### Zakazy

- Nie zanurzać ekspresu do kawy w wodzie.
- Zabrania się używania napięcia, które nie jest zgodne ze specyfikacją elektryczną ekspresu do kawy. W przeciwnym razie może dojść do uszkodzenia ekspresu do kawy.
- W zbiorniku na wodę może znajdować się wyłącznie czysta woda o temperaturze pokojowej, a inne płyny, takie jak ciepła woda, gorąca woda, mleko itp. są zabronione.
- Zabrania się dodawania do pojemnika na kawę ziarnistą kawę rozpuszczalną, cukru, ryżu, soi, przypraw, ziaren czekolady itp. W przeciwnym razie urządzenie ulegnie uszkodzeniu.
- Zabrania się używania ekspresu do kawy w środowisku, w którym temperatura otoczenia wynosi poniżej zera stopni Celsjusza. W przeciwnym razie ekspres do kawy ulegnie uszkodzeniu, jeśli woda wewnątrz zamrze.
- Zabrania się umieszczania ekspresu do kawy w małej przestrzeni, ponieważ ekspres do kawy uwalnia gorące powietrze.
- Ekspres powinien być umieszczony na płaskim stole, a powierzchnia, boki i wszystkie części maszyny powinny mieć co najmniej 100 mm wolnej przestrzeni.
- Jeśli przewód zasilający jest uszkodzony, aby uniknąć niebezpieczeństwa, konsumenci i inne osoby nie mogą go wymieniać ani naprawiać i musi on zostać wymieniony przez producenta, autoryzowanego sprzedawcę lub wykwalifikowanego specjalistę.

## Środki ostrożności

- To urządzenie nie może być używane przez użytkowników (lub dzieci) z problemami fizycznymi, umysłowymi lub użytkowników bez niezbędnego doświadczenia lub wiedzy, chyba że są oni pod nadzorem lub kierownictwem.
- Dzieci powinny znajdować się pod nadzorem i upewnić się, że nie traktują urządzenia jako zabawki.

## Opis urządzenia

(ilustracja 1)

1. Zbiornik na wodę
2. Pokrywa zbiornika na kawę ziarnistą
3. Pokrętło regulacji grubości
4. Panel sterowania
5. Podłączenie rurki mleka
6. Dysza do kawy
7. Przełącznik zasilania
8. Tacka ociekowa
9. Pojemnik na fusy
10. Jednostka parzenia
11. Prawe drzwi

## Panel sterowania i wskaźniki

(ilustracja 2)

1. Espresso
2. Americano
3. Cappuccino/Latte
4. Gorąca woda/mleko
5. 2x/Czyszczenie/Potwierdzenie
6. Menu/Wyjście
7. Brak ziaren kawy: gdy świeci się ikona "ziaren", oznacza to, że w młynku brakuje ziaren. Dodaj ziarna kawy!
8. Podwójna filiżanka: gdy świeci się ikona "x2", oznacza to, że funkcja podwójnej filiżanki jest włączona. Bieżący napój będzie przygotowywany w 2 filiżankach jednocześnie. Druga filiżanka zostanie zatrzymana, jeśli w bieżącym napoju zabraknie ziaren.
9. Drzwi otwarte, gdy świeci się ikona "drzwi", oznacza, że prawe drzwi są otwarte.
10. Brak wody: gdy świeci się ikona "braku wody", oznacza to, że w zbiorniku jest za mało wody.
11. Odkamienianie: gdy świeci się ikona "odkamienianie", oznacza to, że linie ekspresu do kawy wymagają odkamienienia.
12. Brak jednostki zaparzającej: Gdy ikona "jednostki zaparzającej" świeci się, oznacza to, że jednostka zaparzająca nie jest zainstalowana lub włożona na miejsce.
13. Pojemnik na fusy: gdy świeci się "pojemnik na fusy", oznacza to, że pojemnik na fusy nie został włożony lub nie został zainstalowany na swoim miejscu lub pojemnik na fusy jest pełny i wymaga opróżnienia. System domyślnie wyświetla komunikat raz na każde 8 filiżanek kawy.
14. Wyświetlacz LCD. Ostrzeżenie o braku wody w rurociągu: gdy na wyświetlaczu zaświeci się prostokątny kształt, oznacza to, że przez wewnętrzny rurociąg urządzenia nie przepływa woda. Upewnij się, że w zbiorniku jest woda i że zbiornik jest dobrze zainstalowany; naciśnij przycisk "Menu/Exit" (Menu/Wyjście), aby ponownie uruchomić pompę wody, usunąć powietrze z rurociągu i przepuścić wodę.

## Instalacja i pierwsze użycie

1. Rozpakuj opakowanie. Wyjmij urządzenie i umieść je na stabilnej powierzchni (ilustracja 3).
2. Wyjmij i wyczyść zbiornik wody. Dodaj czystą wodę (ilustracja 4).
3. Wsyp ziarna kawy do zbiornika na kawę ziarnistą (ilustracja 5).
4. Podłącz urządzenie (ilustracja 6).
5. Włącz urządzenie i odczekaj aż wejdzie w stan gotowości. Ostrzeżenie: Gorąca woda może wydostawać się z dyszy urządzenia! Aby wyłączyć urządzenie, naciśnij przycisk zasilania i przytrzymaj go przez 3 sekundy (ilustracja 7).
6. Dotknij przycisków wyświetlacza, aby rozpocząć pracę.

## Przygotowanie Espresso

1. Wyreguluj wysokość dyszy kawy i umieść filiżankę kawy (ilustracja 8).
2. Dotknij przycisku "Espresso", aby rozpocząć parzenie.
3. Dostosuj ilość kawy w proszku i kawy podczas pracy.

#### Wskazówki:

- Podczas mielenia ("g" jest wyświetlane po prawej stronie ekranu), kliknij przycisk "+" lub "-", aby dostosować ilość kawy w proszku. Podczas parzenia ("ml" jest wyświetlane po prawej stronie ekranu), kliknij przycisk "+" lub "-", aby dostosować ilość płynu do kawy.
- Kliknij przycisk "x2", aby przygotować 2 filiżanki kawy.
- Kliknij przycisk "Menu/Exit", aby zakończyć operację.

### Przygotowanie Americano

1. Wyreguluj wysokość dyszy kawy i umieść filiżankę kawy (ilustracja 8).
2. Dotknij przycisku "Americano", aby rozpocząć parzenie.
3. Dostosuj ilość kawy w proszku i kawy podczas pracy.

#### Wskazówki:

- Podczas mielenia ("g" jest wyświetlane po prawej stronie ekranu), kliknij przycisk "+" lub "-", aby dostosować ilość kawy w proszku. Podczas parzenia ("ml" jest wyświetlane po prawej stronie ekranu), kliknij przycisk "+" lub "-", aby dostosować ilość płynu do kawy.
- Kliknij przycisk "x2", aby przygotować 2 filiżanki kawy.
- Kliknij przycisk "Menu/Exit", aby zakończyć operację.

### Przygotowanie Cappuccino lub Latte

1. Wyreguluj wysokość dyszy kawy i umieść filiżankę kawy (ilustracja 8).
2. Upewnij się, że jeden koniec przewodu mleka jest podłączony do dyszy, a drugi koniec jest włożony do mleka (lub podłączony do zbiornika mleka).
3. Dotknij opcji "Cappuccino/Latte", aby przygotować cappuccino.
4. Naciśnij i przytrzymaj przycisk "Cappuccino/Latte" przez 3 sekundy, aby przygotować latte.

Uwaga: Prosimy o czyszczenie dozownika piany niezwłocznie po zakończeniu produkcji, Zapobieganie blokowaniu dozownika piany przez resztki mleka.

### Przygotowanie gorącej wody lub mleka

1. Wyreguluj wysokość dyszy kawy i umieść filiżankę kawy (ilustracja 8).
2. Dotknij "Hot water/Milk", aby rozpocząć pracę.
3. Naciśnij i przytrzymaj przez 3 sekundy przycisk "Hot water/Milk" (Gorąca woda/Mleko), aby przygotować szklankę mleka.
4. Gdy ilość gorącej wody osiągnie wymagany poziom, naciśnij przycisk "Menu/Exit" (Menu/Wyjście), aby zatrzymać produkcję.

Uwaga: Wymień mleko na wodę, aby wyczyścić obwód spieniania z resztek mleka. Przetrzyj dyszę czystą szmatką, aby zapobiec przywieraniu mleka do wewnętrznej ścianki lub blokowaniu otworu pary.

### Czyszczenie/Płukanie

1. Wyreguluj wysokość dyszy kawy i umieść filiżankę kawy (ilustracja 8).
2. Naciśnij "2x/Clean" przez 3 sekundy, aby rozpocząć czyszczenie/płukanie. Zużywa około 60 ml wody i kończy pracę automatycznie po zakończeniu czyszczenia.

### Regulacja młynka do kawy

(ilustracja 9)

1. Aby wyregulować grubość mielenia kawy, należy nacisnąć pokrętko regulacji grubości mielenia podczas pracy młynka. W przeciwnym razie może dojść do uszkodzenia młynka.
2. Grubość kawy należy dostosować do stopnia palenia używanych ziaren kawy (zalecane są średnio palone ziarna kawy); podczas parzenia kawy szybkość wypływu kawy jest bardzo powolna (proszek jest zbyt drobny); należy nacisnąć pokrętko regulacji grubości i dokonać dokładnej regulacji; Podczas parzenia kawy kawa wypływa bardzo szybko, a jej kolor jest bardzo jasny (proszek jest zbyt gruboziarnisty); należy nacisnąć pokrętko regulacji grubości i dokonać dokładnej regulacji.
3. Jeśli zmielona kawa w proszku jest gruba, naciśnij pokrętko regulacji grubości i ustaw je w kierunku przeciwnym do ruchu wskazówek zegara; jeśli zmielona kawa w proszku jest drobna, naciśnij pokrętko regulacji grubości i ustaw je w kierunku zgodnym z ruchem wskazówek zegara.

**Uwaga:** Nie wkładaj zbyt wielu ziaren do pojemnika, ponieważ mogą zawilgotnieć (szczególnie przy wilgotnej pogodzie), wpłynie to na to, że młynek nie zmieli kawy, kawy nie będzie można zaparzyć lub kawa będzie bardzo słaba.

**Uwaga:** Naciśnij środkową kolumnę pokrętła za pomocą małego śrubokręta i przytrzymaj, a następnie wyreguluj pokrętło, aby zwiększyć zakres regulacji grubości (ilustracja 10).

#### **Wskazówki:**

- Pokrętło jest ustawione na maksymalną wartość po opuszczeniu linii produkcyjnej. Sugerujemy, aby nie regulować go po pierwszych 100-150 filiżankach.
- Nie wysypuj zbyt wielu ziaren kawy na raz ani nie pozostawiaj ich na dłuższy czas, aby uniknąć nieświeżości lub wilgoci (zwłaszcza w wilgotne dni). Wilgotność uniemożliwi mielenie i parzenie kawy oraz wpłynie na jej smak.
- Wymianę należy przeprowadzić, gdy ziarna są wilgotne, aby zapewnić dobry smak. Następnie przekręć pokrętło do maksimum i przetestuj mielenie. Jeśli urządzenie działa prawidłowo, przywróć pokrętło do pierwotnego położenia.
- Przekręć pokrętło do maksimum, gdy ziarna kawy nie są prawidłowo mielone, co może być spowodowane wilgocią lub zablokowaniem olejem z ziaren kawy, a następnie spróbuj dodać trochę zielonego ryżu lub profesjonalnych środków czyszczących do młynka do zbiornika na ziarna kawy i przetestuj mielenie. Jeśli urządzenie działa prawidłowo, przywróć pokrętło do pierwotnej pozycji.

### **Wymywanie zaparzacza w celu czyszczenia**

(Ilustracja 11)

1. Wyjmij tackę ociekową.
2. Podnieś zbiornik wody.
3. Pociągnij, aby otworzyć prawe drzwi.
4. Naciśnij tutaj i wyciągnij zaparzacza.

### **Ponowna instalacja zaparzacza**

(ilustracja 12)

1. Bezpośrednio włóż z powrotem tackę ociekową.
2. Włóż zbiornik na wodę.
3. Wciśnij go wzdłuż rowka, aż usłyszysz kliknięcie.

**Uwaga:** Po ponownym zainstalowaniu jednostki zaparzającej we właściwej pozycji rozlegnie się dźwięk kliknięcia, jeśli go nie słychać, należy ponownie zdjąć jednostkę zaparzającą i zainstalować ją ponownie. Sprawdź, czy zbiornik na wodę znajduje się na tym samym poziomie, co górna płaska powierzchnia urządzenia. Jeśli nie, dociśnij zbiornik wody, aż zostanie całkowicie włożony.

### **Codzienna konserwacja jednostki zaparzającej**

Wyjmij zaparzacza, umyj go pod bieżącą wodą od góry i usuń fusy z powierzchni filtra tłokowego. Zaleca się czyszczenie ręczne co 3 dni! Nie usuwaj oleju smarującego z dolnej i środkowej części zaparzacza. Do czyszczenia nie należy używać zmywarki!

Możesz użyć także profesjonalnej tabletki do czyszczenia zaparzacza. Wyjmij zaparzacza, umieść tabletkę czyszczącą w jego komorze, włóż zaparzacza i zaparź dużą filiżankę espresso (ustawioną na maksymalną objętość). Następnie należy wyjąć zaparzacza i ręcznie wycisnąć pozostałości.

### **Codzienna konserwacja dyszy spieniającej**

Czyszczenie jest wymagane po zakończeniu każdej funkcji spieniania mleka. Metody czyszczenia: Stosując metodę wytwarzania pianki mlecznej do bezpośredniego wchłaniania wody i czyszczenia. Spieniacz mleka należy wyjmować i płukać codziennie po użyciu. Można również stosować tabletki/płyny do czyszczenia resztek mleka.

### **Codzienna konserwacja tacki ociekowej i pojemnika na fusy**

Codziennie po użyciu należy wyjąć tackę ociekową i pojemnik na fusy, przepłukać je bieżącą wodą, a następnie wytrzeć do czysta.

### **Konserwacja zbiornika wody**

Płukać pod bieżącą wodą co trzy dni.

## Konserwacja zbiornika/młynka do kawy ziarnistej

Zbiornik na kawę ziarnistą należy czyścić co tydzień; należy używać miękkiej, suchej ściereczki do wycierania oleju kawowego/resztek wewnątrz zbiornika. Jeśli w zbiorniku na kawę ziarnistą znajduje się dużo oleju kawowego, oznacza to, że wewnątrz młynka może znajdować się również dużo oleju. Jeśli mielenie nie przebiega prawidłowo, należy w odpowiednim czasie wyczyścić młynek.

Można używać z profesjonalnej tabletki czyszczącej do młynka do kawy. Umieść tabletkę czyszczącą w zbiorniku na kawę ziarnistą i zaparz filiżankę espresso (ustawioną na maksymalną ilość zmielonej kawy). Następnie należy wyjąć jednostkę zaparzającą i ręcznie wyczyścić pozostałości wewnątrz.

## Konserwacja kanału kawy mielonej

Zaleca się otwieranie prawych drzwiczek, wyjmowanie jednostki zaparzającej i cotygodniowe czyszczenie kanału kawy mielonej powyżej pierwotnej lokalizacji jednostki zaparzającej miękkim ręcznikiem.

## Menu i ustawienia

1. W trybie czuwania naciśnij i przytrzymaj przycisk "Menu/Exit" przez 3 sekundy, aby przejść do interfejsu konfiguracji.

## Ustawienia parametrów związanych z Espresso i Americano

Po wejściu do menu ikony Espresso i American będą migać, a po kliknięciu jednego z napojów można ustawić odpowiednie parametry.

1. Kliknij przycisk "Espresso", aby przejść do interfejsu regulacji ilości espresso w proszku. Można dodać lub odjąć ilość proszku, naciskając przyciski "+" lub "-", kliknąć przycisk "Menu/Exit" (Menu/Wyjście), aby przejść do interfejsu regulacji ilości przepływu espresso, a także dostosować ilość kawy, naciskając przycisk "+" lub "-".
2. Kliknij przycisk "Americano", aby przejść do interfejsu regulacji ilości proszku Americano. Ilość proszku można dodać lub odjąć, naciskając przyciski "+" lub "-". Następnie kliknij przycisk "Menu/Exit" (Menu/Wyjście), aby przejść do interfejsu regulacji ilości kawy espresso, a następnie możesz dostosować ilość kawy, naciskając przycisk "+" lub "-".
3. Po zakończeniu ustawień kliknij przycisk "Menu/Exit", aby przejść do następnego kroku, a następnie kliknij go 7 razy, aby powrócić do interfejsu gotowości.

## Ustawienie temperatury

Po wejściu do interfejsu menu kliknij przycisk "Menu/Exit", aby przejść do interfejsu ustawień temperatury. Możesz nacisnąć przycisk "+" lub "-", aby ustawić temperaturę kawy.

## Ustawienie czasu automatycznego wyłączenia

Po wejściu do interfejsu menu, kliknij dwukrotnie przycisk "Menu/Exit", aby przejść do interfejsu ustawień wyłączenia czasowego, możesz nacisnąć przycisk "+" lub "-", aby wybrać czas, można go ustawić na 0,5 godziny, 1 godzinę, 2 godziny ... 24 godziny.

## Ustawienie inicjalizacji

Po wejściu do interfejsu menu kliknij trzykrotnie przycisk "Menu/Exit", aby przejść do interfejsu ustawień inicjalizacji; ta funkcja jest przeznaczona wyłącznie dla profesjonalistów lub personelu posprzedażowego.

## Informacje o produkcji

Po wejściu do menu, kliknij przycisk "Menu/Exit" 5 razy, aby sprawdzić informacje o produkcji, takie jak data i numer partii.

## Usuwanie kamienia

1. Wlej środek odkamieniający do pojemnika z czystą wodą i poczekaj, aż całkowicie się rozpuści.
2. Naciśnij i przytrzymaj przycisk "Menu/Exit", wprowadź ustawienia, a następnie naciskaj przycisk "Menu/Exit" do momentu pojawienia się ikony odkamieniania.
3. Wyjmij zbiornik na wodę, wlej środek do usuwania kamienia do zbiornika na wodę, a następnie dolej czystej wody do maksymalnego poziomu w zbiorniku na wodę.
4. Naciśnij przycisk "Potwierdź", aby rozpocząć odkamienianie.
5. Gdy urządzenie w trybie gotowości zaszygnalizuje opróżnienie, należy wyjąć zbiornik na wodę i dolać czystej wody.
6. Naciśnij ponownie przycisk "Potwierdź", a urządzenie rozpocznie cykl płukania.
7. Po zakończeniu cyklu płukania urządzenie powróci do interfejsu gotowości.



## Parametry techniczne produktu

Model: Siena A23  
Napięcie/częstotliwość: 110V - 120V/220V - 240V, 50/60Hz  
Moc znamionowa: 1100 - 1350 W  
Ciśnienie: 19 bar (pompa)  
Pojemność pojemnika na ziarna: 100 g  
Pojemność zbiornika na wodę: 1100 ml  
Pojemność pojemnika na fusy: 8 szt.  
Długość kabla: 1,0 m  
Waga netto/brutto: 7,6/9,2 kg  
Wymiary produktu (szer. x wys. x gł.): 19 x 31,7 x 39,5 cm

## Rozwiązywanie problemów

Jeśli urządzenie upadnie na ziemię i ulegnie awarii, należy natychmiast odłączyć je od zasilania. Jeśli dojdzie do mechanicznej awarii urządzenia, można skontaktować się ze sprzedawcą lub autoryzowanym dealerem w celu rozwiązania problemu. Jeśli problem nie ustąpi, urządzenie może zostać naprawione wyłącznie przez producenta, autoryzowanego sprzedawcę lub technika sprzedawcy.

Producent nie ponosi żadnej odpowiedzialności za uszkodzenia lub usterki ekspresu do kawy spowodowane przez klientów, którzy nie przestrzegali instrukcji obsługi lub ogólnej konserwacji ekspresu do kawy. Jeśli ekspres do kawy jest uszkodzony, należy natychmiast odłączyć przewód zasilający i oddać urządzenie do wyznaczonego centrum serwisowego w celu naprawy.

### Problem 1

Na wyświetlaczu pojawi się ikona "zbiornika wody".

Możliwy powód:

Brak wody w zbiorniku wody.

Rozwiązanie:

Wlej wodę do zbiornika na wodę i włóż zbiornik dobrze - wciśnij dolną stronę do końca.

Możliwy powód:

Czujnik poziomu wody wymaga kalibracji.

Rozwiązanie:

Gdy urządzenie znajduje się w trybie gotowości: A) Zdejmij zbiornik na wodę. B) Usuń naklejkę z przycisku resetowania czujnika poziomu wody znajdującego się w rogu obudowy zbiornika wody. C) Naciśnij i przytrzymaj przycisk resetowania przez 6 sekund. D) Odłącz zasilanie. E) Podłącz urządzenie i włącz je po 10 sekundach. F) włóż zbiornik na wodę pełny wody.

### Problem 2

Wyświetlacz pokazuje "prostokątną poruszającą się linię"; po naciśnięciu przycisku wyjścia, woda nie jest wydawana.

Możliwy powód:

Zbiornik na wodę nie jest dobrze umieszczony.

Rozwiązanie:

Dobrze włóż zbiornik - wciśnij dolną stronę do końca.

Możliwy powód:

Woda nie może dostać się do pompy.

Rozwiązanie:

Otworzyć tylny panel i wstrzyknąć wodę do pompy wodnej - zgodnie z instrukcją serwisową.

Możliwy powód:

Wewnętrzny przewód jest zablokowany.

Rozwiązanie:

Sprawdzenie przewodów wewnętrznych (wezwać serwis).

### Problem 3

Na wyświetlaczu pojawi się komunikat "prostokątną poruszającą się linię", po naciśnięciu przycisku wyjścia woda jest dozowana, ale ostrzeżenia nie można usunąć.

Możliwy powód:

Kable przepływomierza wody są uszkodzone lub przepływomierz wody jest uszkodzony.

Rozwiązanie:

Otwórz tylny panel i ponownie podłącz przewód przepływomierza wody; jeśli nie zadziała, wymień przepływomierz na nowy.

### Problem 4

Kawa jest wodnista/lekka.

Możliwy powód:

Złe ustawienie pokrętki stopnia rozdrobnienia wewnątrz zbiornika na kawę ziarnistą.

Rozwiązanie:

Wyreguluj stopień zmielenia kawy pokrętkiem.

Możliwy powód:

Po użyciu, ciemno palone ziarna lub pełne ziarna pokrywają olejem ostrza młynka.

Rozwiązanie:

Dodawanie zaworu podczas procesu szlifowania za pomocą przycisku "+" lub wezwanie serwisu w celu kontynuowania głębokiej kalibracji z MENU.

Możliwy powód:

Wilgotne ziarna kawy i fusy blokują młynek.

Rozwiązanie:

Usuń wilgotne ziarna, wyczyść zbiornik na ziarna i wóz suche ziarna/zielony ryż/środek czyszczący do młynka w celu zmielenia.

**Problem 5**

Kawa nie wydostaje się.

Możliwy powód:

Zbiornik na wodę nie jest dobrze umieszczony.

Rozwiązanie:

Włożyć zbiornik - wcisnąć dolną część do końca.

Możliwy powód:

Filtr na toku zaparzacza jest zablokowany.

Rozwiązanie:

Wyczyść filtr lub wymień go.

Możliwy powód:

Przewody wewnątrz urządzenia są zablokowane.

Rozwiązanie:

Wykonać operację odkamieniania. Jeśli nie zadziała, należy wezwać serwis.

**Problem 6**

Młynek nie działa.

Możliwy powód:

Młynek zablokowany przez ciała obce.

Rozwiązanie:

Usunąć ciała obce z młynka.

Możliwy powód:

Rozłączenie przewodów młynka.

Rozwiązanie:

Ponownie podłączyć przewody młynka - zgodnie z instrukcją serwisanta.

Możliwy powód:

Silnik młynka jest uszkodzony.

Rozwiązanie:

Wymienić młynek - wezwać serwis.

**Problem 7**

Przekładnia nie działa (zaparzacze się nie włącza).

Możliwy powód:

Transformator jest uszkodzony.

Rozwiązanie:

Wymień transformator zasilania - wezwij serwis.

Możliwy powód:

Mikroprzełącznik jest uszkodzony.

Rozwiązanie:

Wymień mikroprzełącznik - wezwij serwis.

**Problem 8**

Brak piany mlecznej po spienieniu.

Możliwy powód:

Otwór wentylacyjny jest zablokowany.

Rozwiązanie:

Wyczyść korek otworu wentylacyjnego.

Możliwy powód:

Rodzaj mleka nie nadaje się do spieniania.

Rozwiązanie:

Wybierz bogate w tłuszcz płynne mleko.

## Warunki gwarancji

1. Gwarancja obejmuje wyłącznie wady ukryte, które można przypisać producentowi.
2. Reklamacja zostanie rozpatrzona przez punkt sprzedaży lub serwis techniczny w ramach gwarancji, jeżeli Klient przedstawi:
  - a. ważna i czytelna karta gwarancyjna wypełniona prawidłowo z pieczęcią sprzedaży i podpisem sprzedawcy,
  - b. ważny dowód zakupu z datą sprzedaży,
  - c. zgłoszonego produktu lub wadliwej części. W przypadku zakupu na odległość karta gwarancyjna jest ważna wyłącznie z dowodem zakupu (paragon/faktura).
3. Reklamacja zostanie rozpatrzona w ciągu 14 dni od zgłoszenia przez Klienta.
4. Wady produkcyjne wykryte w okresie gwarancyjnym będą usuwane bezpłatnie w ciągu 21 dni od daty dostarczenia produktu do punktu sprzedaży lub serwisu technicznego.
5. W przypadku konieczności sprowadzenia części do naprawy, okres naprawy gwarancyjnej może zostać przedłużony o czas niezbędny do sprowadzenia części, nie dłużej jednak niż o 40 dni.
6. Wyłączenia gwarancji:
  - a. uszkodzenia mechaniczne i związane z nimi wady,
  - b. uszkodzeń i wad wynikających z niewłaściwego użytkowania oraz niewłaściwego przechowywania, montażu i konserwacji,
  - c. uszkodzenia i zużycia takich elementów eksploatacyjnych,
  - d. czynności związane z montażem lub konserwacją, które są obowiązkiem użytkownika zgodnie z instrukcją.
7. Gwarancja nie ma zastosowania, gdy:
  - a. minął okres jego ważności,
  - b. Klient naprawił lub zmodyfikował produkt przy użyciu nieoryginalnych części,
  - c. wada wynika z nieprawidłowej instalacji lub nieprzestrzegania zasad prawidłowej obsługi zawartych w instrukcji,
  - d. produkt jest używany do celów innych niż domowe,
  - e. uszkodzeń powstałych podczas transportu.
8. Duplikaty karty gwarancyjnej nie są wydawane.
9. Klient ma prawo do następującego bezpłatnego odszkodowania:
  - a. naprawa produktu,
  - b. wymiana produktu,
  - c. obniżona cena,
  - d. rozwiązanie umowy i pełna rekompensata kosztów.
10. Aby zgłosić roszczenie:
  - a. Zaprezentuj produkt lub jego zgłoszoną część.
  - b. Przedstawić dowód zakupu zawierający nazwę i adres sprzedawcy, datę i miejsce zakupu, rodzaj produktu lub ważną kartę gwarancyjną z pieczęcią punktu sprzedaży.
  - c. Jeśli produkt zostanie dostarczony zabrudzony, serwis techniczny może odmówić jego przyjęcia lub wyczyścić go na koszt Klienta po uzyskaniu jego pisemnej zgody.
11. W przypadku uznania reklamacji urządzenie jest naprawiane lub wymieniane na nowe lub Klient otrzymuje zwrot kosztów. Koszty transportu z serwisu producenta pokrywa serwis.
12. W przypadku odrzucenia reklamacji, Klient otrzyma szczegółowe uzasadnienie decyzji, a sprzęt zostanie do niego wysłany na jego koszt w ciągu 14 dni od dostarczenia decyzji.

## Utylizacja

Postępowanie ze użytym sprzętem elektrycznym i elektronicznym (przepisy WEEE).

Oznaczenie na opakowaniu, akcesoriach lub instrukcji obsługi wskazuje, że wycofane z eksploatacji urządzenia i dołączone do nich akcesoria elektroniczne nie powinny być umieszczane w pojemnikach na odpady komunalne wraz z innymi odpadami pochodzącymi z gospodarstw domowych.

Niewłaściwe postępowanie z odpadami elektronicznymi może skutkować przedostaniem się zanieczyszczeń do środowiska lub zagrożeniem dla zdrowia z powodu niewłaściwej utylizacji. Odpady te należy oddzielić od innych odpadów i poddać recyklingowi, aby umożliwić ponowne wykorzystanie surowców. Recykling pozwala na ponowne wykorzystanie surowców.

## Sicherheitshinweise

### Gefahren

- Dieses Produkt ist ein elektrisches Gerät und darf nicht mit Wasser in Berührung kommen: Kurzschlussgefahr.
- Heißer Dampf und heißes Wasser können den Benutzer verbrühen. Spritzen Sie den Dampf und das heiße Wasser nicht direkt auf sich oder andere.
- Seien Sie besonders vorsichtig, wenn Sie den Dampfauslass berühren: Verbrühungsgefahr.
- Es ist strengstens untersagt, den Stecker und das Netzkabel dieses Geräts in Wasser oder andere Flüssigkeiten zu tauchen, um einen elektrischen Schlag und Feuer zu vermeiden. Das von diesem Gerät verwendete Kabel sollte nicht zu lang sein, um ein Verdrehen oder Reißen zu vermeiden. Die Verwendung eines Verlängerungskabels wird nicht empfohlen, aber falls erforderlich, muss das Verlängerungskabel geerdet sein und sollte außerhalb der Reichweite von Kindern verlegt werden.
- Diese Maschine darf nicht für andere Zwecke verwendet werden. Es dürfen auch keine baulichen Veränderungen an der Maschine ohne Genehmigung vorgenommen werden. Es ist strengstens untersagt, diese Maschine unsachgemäß zu bedienen; andernfalls kann dies unerwünschte Folgen haben.
- Wenn das Gerät längere Zeit oder vor der Reinigung nicht benutzt wird, sollte es vom Stromnetz getrennt werden. Wenn eine Reinigung erforderlich ist, kühlt das Standby-Gerät vor der Reinigung eine Zeit lang ab.

### Warnungen

- Es ist verboten, die Kaffeemaschine ohne Genehmigung zur Reparatur zu öffnen. Wenn die Kaffeemaschine kaputt geht, muss sie von einem autorisierten Händler repariert werden.
- Bitte verwenden Sie nicht dieselbe Steckdose mit anderen Elektrogeräten.
- Diese Kaffeemaschine darf nur von Erwachsenen und Personen benutzt werden, die ordnungsgemäß eingewiesen wurden. Berühren Sie das Gerät nicht mit geladenen Gegenständen! Andernfalls kann es zu einem elektrischen Schlag, zu Verletzungen oder zum Tod kommen. Die Netzspannung muss mit der angegebenen Spannung des Geräts übereinstimmen.
- Während des Arbeitsprozesses der Maschine ist es verboten, die Maschine zu schütteln und die Schutzteile der Maschine (wie z. B. die rechte Tür) zu entfernen, um versehentliche Verletzungen zu vermeiden.
- Um Fehlermeldungen zu vermeiden, müssen Sie sich im Zustand "Standby-Schnittstelle" befinden, um die rechte Tür zu öffnen.
- Berühren Sie nicht die heißen Stellen der Kaffeemaschine, um Verbrennungen zu vermeiden.
- Um Verletzungen des Bedieners durch Verbrennungen, Stromschläge usw. zu vermeiden, sollte die Kaffeemaschine nicht mit dem Netzkabel, dem Netzstecker oder dem Hauptteil der Kaffeemaschine in Berührung kommen.
- Bitte halten Sie alle Arten von Verpackungen, Kartons und Plastiktüten von Kindern fern.
- Verwenden Sie die Kaffeemaschine nicht im Freien.
- Hängen Sie das Netzkabel nicht an der Tischkante auf; dies kann dazu führen, dass das Netzkabel abgenutzt wird, ausläuft und den Bediener verletzt.
- Stellen Sie die Kaffeemaschine auf eine feste und stabile Unterlage und achten Sie darauf, dass niemand umkippt oder verletzt wird. Stellen Sie die Maschine nicht auf eine heiße Oberfläche oder in die Nähe von Flammen, um Schäden an der Maschine zu vermeiden.
- Bei der Verwendung von Heißwasser, Milchschaum und anderen Funktionen fließt Flüssigkeit mit hoher Temperatur aus dem Kaffeeauslauf.
- Berühren Sie die hoch erhitze Flüssigkeit nicht mit den Händen, um Verbrennungen zu vermeiden.

### Verboten Sie

- Tauchen Sie die Kaffeemaschine nicht in Wasser ein.
- Es ist verboten, eine Spannung zu verwenden, die nicht mit den elektrischen Spezifikationen der Kaffeemaschine übereinstimmt. Andernfalls kann die Kaffeemaschine ausbrennen.
- In den Wassertank darf nur reines Wasser bei Raumtemperatur eingefüllt werden, andere Flüssigkeiten wie warmes Wasser, heißes Wasser, Milch usw. sind verboten.
- Es ist verboten, Instantkaffee, Zucker, Reis, Sojabohnen, Gewürze, Schokoladenbohnen usw. in den Bohnenbehälter zu geben. Andernfalls wird die Maschine beschädigt.
- Es ist verboten, die Kaffeemaschine in einer Umgebung zu benutzen, in der die Umgebungstemperatur unter null Grad Celsius liegt. Andernfalls wird die Kaffeemaschine beschädigt, wenn das Wasser im Kaffee gefriert.
- Es ist verboten, die Kaffeemaschine in einen kleinen Raum einzubetten, da die Kaffeemaschine heiße Luft abgibt.
- Die Maschine sollte auf eine flache Werkbank gestellt werden, und die Oberfläche, die Seiten und alle Teile der Maschine sollten mindestens 100 mm Platz haben.
- Wenn das Netzkabel beschädigt ist, ist es Verbrauchern und anderen Personen zur Vermeidung von Gefahren untersagt, es auszutauschen oder zu reparieren; es muss vom Hersteller, einem autorisierten Händler oder einem Fachmann aus ähnlichen Bereichen ausgetauscht werden.

## Vorsichtsmaßnahmen

- Dieses Gerät kann nicht von Benutzern (oder Kindern) mit körperlichen, sensorischen oder intelligenten Problemen oder von Benutzern ohne die erforderliche Erfahrung oder Kenntnisse benutzt werden, es sei denn, sie werden beaufsichtigt oder angeleitet.
- Kinder müssen beaufsichtigt werden, und es ist darauf zu achten, dass sie das Gerät nicht als Spielzeug benutzen.

## Komponente Beschreibung

(Abbildung 1)

1. Wassertank
2. Bohntankdeckel
3. Drehknopf für die Dickeneinstellung
4. Bedienfeld
5. Anschluss des Milchschauchs
6. Kaffeedüse
7. Netzschalter
8. Tropfschale
9. Abfallbehälter
10. Brüheinheit
11. Rechte Tür

## Bedienfeld und Anzeigen

(Abbildung 2)

1. Espresso
2. Americano
3. Cappuccino/Latte
4. Heißes Wasser/Milch
5. 2x/Reinigen/Bestätigen
6. Menü/Beenden
7. Mangel an Kaffeebohnen: Wenn das Symbol "Bohne" aufleuchtet, bedeutet dies, dass das Mahlwerk nicht genügend Bohnen hat. Bitte fügen Sie Kaffeebohnen hinzu!
8. Doppeltasse: Wenn das Symbol "x2" aufleuchtet, ist die Doppeltasse aktiviert. Das aktuelle Getränk wird in 2 Tassen auf einmal zubereitet. Die 2. Tasse wird gestoppt, wenn das aktuelle Getränk keine Bohnen mehr enthält.
9. Tür offen", wenn das "Tür"-Symbol aufleuchtet, zeigt an, dass die rechte Tür offen ist; bitte überprüfen Sie die rechte Tür.
10. Wassermangel: Wenn das Symbol "Wassermangel" aufleuchtet, bedeutet dies, dass der Wassertank zu wenig Wasser enthält. Bitte überprüfen Sie, ob genügend Wasser vorhanden ist.
11. Entkalkung: Wenn das Symbol "Entkalkung" aufleuchtet, bedeutet dies, dass die Leitungen der Kaffeemaschine entkalkt werden müssen.
12. Fehlen der Brüheinheit: Wenn das Symbol "Brüheinheit" aufleuchtet, bedeutet dies, dass die Brüheinheit nicht installiert oder eingesetzt ist.
13. Kaffeesatzbehälter: Wenn die Anzeige "Kaffeesatzbehälter" aufleuchtet, bedeutet dies, dass der Kaffeesatzbehälter nicht eingesetzt oder nicht richtig installiert ist oder dass der Kaffeesatzbehälter voll ist und geleert werden muss. Das System schüttet den Kaffeesatz standardmäßig einmal pro 8 Tassen Kaffee aus.
14. LCD-Anzeige. Warnung vor Wassermangel in der Rohrleitung: Wenn das rechteckige Symbol auf dem Display aufleuchtet, bedeutet dies, dass kein Wasser durch die interne Rohrleitung der Maschine fließt. Bitte vergewissern Sie sich, dass Wasser im Wassertank ist und dass der Wassertank gut installiert ist; drücken Sie die Taste "Menu/Exit", um die Wasserpumpe wieder in Betrieb zu nehmen, die Luft in der Rohrleitung abzulassen und das Wasser durchzulassen.

## Erstmalig installieren und verwenden

1. Packen Sie die Verpackung aus. Nehmen Sie das Gerät heraus und stellen Sie es auf eine stabile Unterlage (Abbildung 3).
2. Nehmen Sie den Wassertank heraus und reinigen Sie ihn. Füllen Sie gereinigtes Wasser ein und stellen Sie es wieder her (Abbildung 4).
3. Füllen Sie die Kaffeebohnen in den Bohnenbehälter (Abbildung 5).
4. Schließen Sie das Gerät an (Abb. 6).

- Schalten Sie die Maschine ein, testen Sie sie und reinigen Sie das Rohr (Abbildung 7). Achtung! Es kann heißes Wasser austreten! Um das Gerät auszuschalten, drücken Sie den Netzschalter für 3 Sekunden.
- Berühren Sie zur Bedienung die Display-Tasten.

### Espresso zubereiten

- Stellen Sie die Höhe der Kaffeedüse ein und stellen Sie eine Kaffeetasse auf (Abbildung 8).
- Berühren Sie die Taste "Espresso", um den Brühvorgang zu starten.
- Stellen Sie die Menge an Kaffeepulver und Kaffee im Betrieb ein.

#### Tipps:

- Beim Mahlen ("g" wird rechts auf dem Bildschirm angezeigt), klicken Sie auf "+" oder "-", um die Menge des Kaffeepulvers einzustellen. Beim Brühen ("ml" wird auf der rechten Seite des Bildschirms angezeigt), klicken Sie auf "+" oder "-", um die Menge der Kaffeeflüssigkeit einzustellen.
- Klicken Sie auf die Schaltfläche "x2", um 2 Tassen Kaffee zuzubereiten.
- Klicken Sie auf die Schaltfläche "Menü/Beenden", um den Vorgang zu beenden.

### Herstellung von Americano

- Stellen Sie die Höhe der Kaffeedüse ein und stellen Sie eine Kaffeetasse auf (Abbildung 8).
- Tippen Sie auf die Taste "Americano", um den Brühvorgang zu starten.
- Stellen Sie die Menge an Kaffeepulver und Kaffee im Betrieb ein.

#### Tipps:

- Beim Mahlen ("g" wird rechts auf dem Bildschirm angezeigt), klicken Sie auf "+" oder "-", um die Menge des Kaffeepulvers einzustellen. Beim Brühen ("ml" wird auf der rechten Seite des Bildschirms angezeigt), klicken Sie auf "+" oder "-", um die Menge der Kaffeeflüssigkeit einzustellen.
- Klicken Sie auf die Schaltfläche "x2", um 2 Tassen Kaffee zuzubereiten.
- Klicken Sie auf die Schaltfläche "Menü/Beenden", um den Vorgang zu beenden.

### Zubereitung von Cappuccino oder Latte

- Stellen Sie die Höhe der Kaffeedüse ein und stellen Sie eine Kaffeetasse auf (Abbildung 8).
- Vergewissern Sie sich, dass ein Ende des Milchschauchs mit der Düse verbunden ist und das andere Ende in die Milch eingeführt (oder mit dem Milchtank verbunden) ist.
- Tippen Sie auf "Cappuccino/Latte", um Cappuccino zuzubereiten.
- Berühren Sie "Cappuccino/Latte" 3 Sekunden lang, um einen Milchkaffee zuzubereiten.

Achtung! Bitte reinigen Sie den Schaumpender umgehend nach der Produktion, um zu verhindern, dass der Schaumpender durch Milchreste verstopft wird.

### Zubereitung von heißem Wasser oder Milch

- Stellen Sie die Höhe der Kaffeedüse ein und stellen Sie eine Kaffeetasse auf (Abbildung 8).
- Tippen Sie auf "Heißwasser/Milch", um die Arbeit zu beginnen.
- Berühren Sie "Heißwasser/Milch" 3 Sekunden lang, um ein Glas Milch zuzubereiten.
- Wenn die Warmwassermenge die von Ihnen benötigte Menge erreicht hat, drücken Sie die Taste "Menu/Exit", um die Produktion zu beenden.

**Hinweis:** Milch gegen Wasser austauschen. Reinigen Sie ihn, indem Sie Milchschaum herstellen. Wischen Sie den Stab mit einem sauberen Tuch ab, um zu verhindern, dass Milch an der Innenwand klebt oder die Dampföffnung blockiert.

### Reinigen/Spülen

- Stellen Sie die Höhe der Kaffeedüse ein und stellen Sie eine Kaffeetasse auf (Abbildung 8).
- Drücken Sie 3 Sekunden lang "2x/Reinigen", um die Reinigung/Spülung zu starten. Es werden ca. 60 ml Wasser verbraucht und der Vorgang wird automatisch beendet, wenn die Reinigung abgeschlossen ist.

### Einstellung des Kaffeepulvers

(Abbildung 9)

- Wenn Sie die Dicke des Kaffeepulvers einstellen müssen, drücken Sie bitte den Drehknopf zur Einstellung der Dicke, während das Mahlwerk läuft. Andernfalls kann das Mahlwerk beschädigt werden.

2. Bitte stellen Sie die Stärke des Kaffeepulvers entsprechend dem Röstgrad der verwendeten Kaffeebohnen ein (empfohlen werden mittelstark geröstete Kaffeebohnen); bei der Kaffeezubereitung fließt der Kaffee sehr langsam aus (das Pulver ist zu fein); bitte drücken Sie den Knopf zur Einstellung der Stärke, um die Feineinstellung in grober Richtung vorzunehmen; bei der Kaffeezubereitung fließt der Kaffee sehr schnell aus und die Farbe des Ausflusses ist sehr hell (das Pulver ist zu grob), bitte drücken Sie den Knopf zur Einstellung der Grob- und Feineinstellung, um die Feineinstellung in feiner Richtung vorzunehmen.
3. Wenn das gemahlene Kaffeepulver dickflüssig ist, drücken Sie auf den Drehknopf für die Einstellung der Kaffeestärke und drehen Sie ihn gegen den Uhrzeigersinn; wenn das gemahlene Kaffeepulver fein ist, drücken Sie auf den Drehknopf für die Einstellung der Kaffeestärke und drehen Sie ihn im Uhrzeigersinn.

**Beachten Sie:** Legen Sie nicht zu viele Bohnen oder zu lange in die Bohnenbox: zu lange Bohnen beeinträchtigen die Qualität des Kaffees, zu viele Bohnen werden feucht (vor allem bei feuchtem Wetter), beeinträchtigen das Mahlwerk nicht verlassen das Pulver, Kaffee kann nicht gebrüht werden, oder Kaffee ist sehr schwach.

**Hinweis:** Drücken Sie mit einem kleinen Schraubendreher auf die mittlere Säule des Knopfes und halten Sie ihn gedrückt. Dann können Sie den Knopf verstellen, um den Bereich der Dickeneinstellung zu erweitern (Abbildung 10).

**Tipps:**

- Der Drehknopf ist auf den Maximalwert eingestellt, wenn er vom Fließband kommt. Ich empfehle, ihn nach den ersten 100-150 Tassen nicht mehr zu verstellen.
- Füllen Sie nicht zu viele Kaffeebohnen auf einmal ein und lassen Sie sie nicht zu lange stehen, um die Frische und die Feuchtigkeit nicht zu beeinträchtigen (vor allem an feuchten Tagen). Feuchtigkeit behindert das Mahlen und Brühen und beeinträchtigt den Geschmack.
- Ersetzen Sie die Bohnen, wenn sie noch feucht sind, um einen guten Geschmack zu gewährleisten. Drehen Sie dann den Knopf auf Maximum und testen Sie das Mahlen. Wenn die Maschine einwandfrei funktioniert, stellen Sie den Drehknopf wieder in seine ursprüngliche Position.
- Drehen Sie den Drehknopf auf Maximum, wenn die Kaffeebohnen nicht richtig gemahlen werden, was möglicherweise auf Feuchtigkeit oder eine Verstopfung des Bohnenöls zurückzuführen ist, und versuchen Sie dann, etwas grünen Reis oder professionelle Mahlwerkreiniger in den Kaffeebohnenbehälter zu geben und das Mahlen zu testen. Wenn das Gerät einwandfrei funktioniert, stellen Sie den Drehknopf wieder in die ursprüngliche Position.

### Teile der Gruppe zur Reinigung herausnehmen

(Abbildung 11)

1. Nehmen Sie die Tropfschale heraus.
2. Ziehen Sie den Wassertank hoch.
3. Ziehen Sie heraus, um die rechte Tür zu öffnen.
4. Drücken Sie hier und ziehen Sie die Brüheinheit heraus.

### Gruppenteile nach der Reinigung wieder einbauen

(Abbildung 12)

1. Setzen Sie die Tropfschale direkt wieder ein.
2. Setzen Sie den Wassertank gerade nach unten ein.
3. Drücken Sie ihn entlang der Rille nach unten, bis Sie ein Klickgeräusch hören.

**Achtung!** Wenn Sie die Brüheinheit wieder in die richtige Position bringen, wird ein Klickgeräusch zu hören sein. Wenn Sie es nicht hören, nehmen Sie die Brüheinheit wieder ab und setzen Sie sie erneut ein. Prüfen Sie, ob der Wassertank auf gleicher Höhe mit der Oberseite der Maschine liegt. Falls nicht, drücken Sie den Wassertank nach unten, bis er vollständig eingesetzt ist.

### Tägliche Wartung der Brüheinheit

Nehmen Sie die Brüheinheit heraus, spülen Sie sie mit fließendem Wasser von oben ab und entfernen Sie den Kaffeesatz auf der Oberfläche des Kolbenfilters. Es wird empfohlen, ihn alle 3 Tage manuell zu reinigen! Entfernen Sie nicht das Schmieröl auf der Unterseite und der mittleren Seite der Brüheinheit. Verwenden Sie zur Reinigung keine Spülmaschine!

Sie kann mit einer professionellen Öl-Reinigungstablette für die Brüheinheit verwendet werden. Nehmen Sie die Brüheinheit heraus, legen Sie die Reinigungstablette in die Kammer, setzen Sie die Brüheinheit wieder ein und machen Sie eine große Tasse Espresso (auf maximale Menge eingestellt). Nehmen Sie dann die Brüheinheit heraus und reinigen Sie die Reste manuell.

## **Tägliche Wartung des Dampfstabs**

Eine rechtzeitige Reinigung ist nach jeder Milchschaumfunktion erforderlich. Reinigungsmethoden: Verwenden Sie die Methode zur Herstellung von Milchschaum, um Wasser direkt aufzusaugen, und reinigen Sie den Milchaufschäumer nach jedem Gebrauch, oder nehmen Sie ihn heraus und spülen Sie ihn ab.

Es kann mit professionellen Milchresten Reinigungstablette / Flüssigkeit angenommen werden.

## **Tägliche Wartung der Tropfschale und des Abfallbehälters**

Nehmen Sie die Abtropfschale und den Kaffeesatzbehälter nach jedem Gebrauch heraus, spülen Sie sie unter fließendem Wasser ab und wischen Sie sie anschließend sauber. Nicht länger als zwei Tage.

## **Tägliche Wartung des Wassertanks**

Alle drei Tage unter fließendem Wasser abspülen.

## **Tägliche Wartung des Bohnentanks/der Mühle**

Reinigen Sie den Bohnenbehälter wöchentlich; verwenden Sie bitte ein weiches, trockenes Tuch, um das Kaffeeöl/die Reste im Inneren zu entfernen. Wenn sich viel Kaffeeöl im Bohnenbehälter befindet, bedeutet dies, dass sich möglicherweise viel Öl im Inneren des Mahlwerks befindet. Reinigen Sie das Mahlwerk rechtzeitig, wenn das Mahlen nicht richtig funktioniert.

Sie kann mit einer professionellen Kaffeeöl-/Restreinigungstablette für eine Kaffeemühle verwendet werden. Legen Sie die Reinigungstablette in den Bohnentank und führen Sie eine Tasse Espresso zu (maximale Mahlmenge einstellen). Dann nehmen Sie die Brüheinheit heraus und reinigen die Reste im Inneren manuell.

## **Tägliche Wartung des Pulverkanals**

Es wird empfohlen, die rechte Tür zu öffnen, die Brüheinheit herauszunehmen und den Pulverkanal über der ursprünglichen Position der Brüheinheit jede Woche mit einem weichen Tuch zu reinigen.

## **Menü & Einstellungen**

Halten Sie im Standby-Modus die Taste "Menu/Exit" 3 Sekunden lang gedrückt, um die Einrichtungsoberfläche aufzurufen.

### **Parametereinstellungen für Espresso und Americano**

Nach dem Aufrufen des Menüs blinken die Symbole für Espresso und Americano, und wenn Sie auf eines der beiden Getränke klicken, können Sie die entsprechenden Parameter einstellen.

1. Klicken Sie auf die Schaltfläche "Espresso", um die Schnittstelle zur Einstellung der espressopulvermenge aufzurufen. Sie können die Pulvermenge durch Drücken der Tasten "+" oder "-" addieren oder subtrahieren, klicken Sie auf die Taste "Menü/Beenden", um die Schnittstelle zur Einstellung der Espressoflussmenge aufzurufen, und Sie können die Kaffeemenge durch Drücken der Tasten "+" oder "-" einstellen.
2. Klicken Sie auf die Schaltfläche "Americano", um die Menge des Americano-Pulvers einzustellen. Sie können die Pulvermenge durch Drücken der Tasten "+" oder "-" hinzufügen oder abziehen. Danach klicken Sie auf die Taste "Menü/Beenden", um die Schnittstelle zur Einstellung der Espresso-Menge aufzurufen, und Sie können die Kaffeemenge durch Drücken der Taste "+" oder "-" einstellen.
3. Nachdem die Einstellung abgeschlossen ist, klicken Sie auf die Schaltfläche "Menü/Beenden", um zum nächsten Schritt zu gelangen, und klicken Sie 7 Mal, um zum Standby-Bildschirm zurückzukehren.

### **Einstellung der Temperatur**

Nachdem Sie das Menü aufgerufen haben, klicken Sie auf die Schaltfläche "Menü/Beenden", um die Temperatureinstellung aufzurufen. Sie können die "+" oder "-" Taste drücken, um die Temperatur des Kaffees einzustellen.

### **Einstellung der automatischen Abschaltzeit**

Nachdem Sie die Menüoberfläche aufgerufen haben, klicken Sie zweimal auf die Taste "Menü/Beenden", um die Oberfläche für die Einstellung der Abschaltzeit aufzurufen. Sie können die Taste "+" oder "-" drücken, um die Zeit auszuwählen, sie kann auf 0,5h, 1h, 2h ... 24h eingestellt werden.



## Einstellung der Initialisierung

Klicken Sie nach dem Aufrufen der Menüschnittstelle dreimal auf die Taste "Menü/Beenden", um die Schnittstelle für die Initialisierungseinstellungen aufzurufen; diese Funktion ist nur für Fachleute oder Kundendienstmitarbeiter bestimmt.

## Informationen zur Herstellung

Nachdem Sie die Menüoberfläche aufgerufen haben, klicken Sie 5 Mal auf die Schaltfläche "Menü/Beenden", um die Herstellungsinformationen wie Datum und Losnummer zu überprüfen.

## Entkalken

1. Gießen Sie das Entkalkungsmittel in einen Behälter mit sauberem Wasser und warten Sie, bis es sich vollständig aufgelöst hat.
2. Drücken Sie lange auf die Taste "Menu/Exit", geben Sie den Einstellungszustand ein und drücken Sie dann die Taste "Menu/Exit" so lange, bis das Entkalkungssymbol angezeigt wird.
3. Öffnen Sie die linke Seitentür, nehmen Sie den Wassertank heraus, gießen Sie das Entkalkungsmittel in den Wassertank und füllen Sie dann sauberes Wasser bis zur maximalen Position in den Wassertank.
4. Drücken Sie die Taste "Bestätigen", um die Entkalkung zu starten.
5. Wenn das Standby-Gerät die Entleerung anzeigt, nehmen Sie den Wassertank heraus und füllen Sie sauberes Wasser ein.
6. Drücken Sie erneut die Taste "Bestätigen", und die Maschine beginnt mit dem Spülvorgang.
7. Wenn das Gerät den Spülzyklus abgeschlossen hat, kehrt es in den Standby-Modus zurück.

## Technische Parameter des Produkts

Modell: Siena A23  
Spannung/Frequenz: 110V - 120V/220V - 240V, 50/60Hz  
Nennleistung: 1100 - 1350 W  
Druck: 19 bar (Pumpe)  
Fassungsvermögen des Bohnenbehälters: 100 g  
Fassungsvermögen des Wassertanks: 1100 ml  
Fassungsvermögen der Kaffeesatzdose: 8 Stück  
Kabellänge: 1,0 m  
Nettogewicht/Bruttogewicht: 7,6/9,2 kg  
Produktabmessungen (B x H x T: 19 x 31,7 x 39,5 cm)

## Fehlersuche

Wenn das Gerät zu Boden fällt und eine Störung auftritt, sollten Sie es sofort vom Stromnetz trennen. Wenn ein mechanischer Defekt an der Maschine auftritt, können Sie sich an Ihren Hersteller oder autorisierten Händler wenden, um das Problem zu lösen. Wenn das Problem weiterhin besteht, können nur die Techniker des Herstellers, des autorisierten Händlers oder des Herstellers das Gerät reparieren.

Der Hersteller übernimmt keine Verantwortung für Schäden oder Störungen an der Kaffeemaschine, die von Kunden verursacht werden, die sich nicht an die Bedienungsanweisungen oder die allgemeine Pflege und Wartung ihrer Kaffeemaschine halten. Wenn die Kaffeemaschine defekt ist, ziehen Sie sofort den Netzstecker und bringen Sie das Gerät zur Reparatur in ein ausgewiesenes Servicezentrum.

### Problem 1

Auf dem Display erscheint das Symbol "Wassertank".

#### Möglicher Grund:

Kein Wasser im Wassertank.

#### Lösung:

Füllen Sie Wasser in den Wassertank und setzen Sie den Tank gut ein - drücken Sie die Unterseite bis zum Ende.

#### Möglicher Grund:

Der Wasserstandssensor muss kalibriert werden.

#### Lösung:

Wenn sich das Gerät im Standby-Modus befindet: A) Nehmen Sie den Wassertank ab. B) Entfernen Sie den Aufkleber auf der Reset-Taste für den Wasserstandssensor an der Ecke des Wassertankgehäuses. C) Drücken Sie 6 Sekunden lang auf die Reset-Taste. D) Stecken Sie den Stecker aus, um das Gerät auszuschalten. E) Stecken Sie den Stecker ein und schalten Sie das Gerät nach 10 Sekunden ein. F) Wassertank mit vollem Wasser einsetzen.

## **Problem 2**

Das Display zeigt "running square line" an; drücken Sie die Exit-Taste, aber es wird kein Wasser ausgegeben.

Möglicher Grund:

Der Wassertank ist nicht gut platziert.

Lösung:

Setzen Sie den Tank gut ein - drücken Sie die Unterseite bis zum Ende.

Möglicher Grund:

Es kann kein Wasser in die Pumpe eindringen.

Lösung:

Öffnen Sie die Rückwand und spritzen Sie Wasser in die Wasserpumpe - unter der Anleitung des Servicetechnikers.

Möglicher Grund:

Das Innenrohr ist verstopft.

Lösung:

Kontrolle der Innenrohre (Service anrufen).

## **Problem 3**

Das Display zeigt "running square line", drücken Sie die Exit-Taste, dann wird Wasser ausgegeben, aber die Warnung kann nicht entfernt werden.

Möglicher Grund:

Die Kabel des Wasserdurchflussmessers gehen verloren, oder der Wasserdurchflussmesser ist defekt.

Lösung:

Öffnen Sie die Rückwand und schließen Sie das Kabel des Wasserdurchflussmessers wieder an; wenn es nicht funktioniert, ersetzen Sie einen neuen Durchflussmesser.

## **Problem 4**

Der Kaffee ist wässrig/leicht.

Möglicher Grund:

Zu fein ist die Einstellung des Feinheitsreglers im Bohnentank.

Lösung:

Drehen Sie den Knopf auf größer.

Möglicher Grund:

Nach der Verwendung von dunkel gerösteten Bohnen oder Bohnen mit vollem Ölgehalt bleiben die Blätter klebrig, und ein Teil des Kaffeesatzes wird herausgemahlen.

Lösung:

Hinzufügen des Ventils während des Schleifvorgangs mit der Taste "+", oder rufen Sie den Kundendienst an, um die Tiefenkalibrierung über das MENÜ fortzusetzen.

Möglicher Grund:

Feuchte Kaffeebohnen und Kaffeesatz blockieren das Mahlwerk.

Lösung:

Entfernen Sie die feuchten Bohnen, reinigen Sie den Bohnenbehälter und legen Sie einige trockene Bohnen/grünen Reis/ Mahlwerkreiniger zum Mahlen ein.

## **Problem 5**

Kein Kaffee mehr.

Möglicher Grund:

Der Wassertank ist nicht gut platziert.

Lösung:

Setzen Sie den Tank gut ein - drücken Sie die Unterseite bis zum Ende.

Möglicher Grund:

Der Filter am Brühkolben ist verstopft.

Lösung:

Reinigen Sie den Filter oder tauschen Sie ihn aus.

Möglicher Grund:

Die Rohre im Inneren der Maschine sind verstopft.

Lösung:

Entkalkungsvorgang durchführen. Wenn nicht, rufen Sie den Kundendienst.

## **Problem 6**

Das Mahlwerk funktioniert nicht.

Möglicher Grund:

Mahlwerk durch Fremdkörper blockiert.

Lösung:

Entfernen Sie die Fremdkörper aus dem Schleifgerät.

Möglicher Grund:

Drähte des Schleifers Verlust.

Lösung:

Schließen Sie die Drähte des Schleifers wieder gut an - unter der Anleitung des Servicetechnikers.

Möglicher Grund:

Der Motor der Schleifmaschine ist kaputt.

Lösung:

Mahlwerk austauschen - Service anrufen.

**Problem 7**

Das Getriebe funktioniert nicht (der Brührer dreht nicht hoch).

Möglicher Grund:

Der Transformator ist kaputt.

Lösung:

Netztrafo austauschen - Kundendienst rufen.

Möglicher Grund:

Der Mikroschalter ist defekt.

Lösung:

Mikroschalter auswechseln - Service rufen.

**Problem 8**

Kein Milchschaum nach dem Aufschäumen.

Möglicher Grund:

Das Luftloch ist verstopft.

Lösung:

Reinigen Sie den Luftlochstopfen.

Möglicher Grund:

Die Milchsorte ist nicht zum Aufschäumen geeignet.

Lösung:

Wählen Sie flüssige Milch mit hohem Fettgehalt.

## Garantiebestimmungen und -bedingungen

1. Die Garantie gilt nur für versteckte Mängel, die dem Hersteller zuzuschreiben sind.
2. Die Reklamation wird von der Verkaufsstelle oder dem technischen Dienst im Rahmen der Garantie bearbeitet, wenn der Kunde sie vorlegt:
  - a. eine gültige und eindeutige Garantiekarte, die ordnungsgemäß ausgefüllt und mit einem Verkaufsstempel und der Unterschrift des Verkäufers versehen ist,
  - b. einen gültigen Kaufnachweis mit dem Verkaufsdatum,
  - c. das gemeldete Produkt oder defekte Teil. Im Falle eines Fernkaufs ist die Garantiekarte nur mit einem Kaufnachweis (Quittung/Rechnung) gültig.
3. Die Reklamation ist innerhalb von 14 Tagen nach der Meldung durch den Kunden zu erledigen.
4. Während der Garantiezeit festgestellte Herstellungsfehler werden innerhalb von 21 Tagen nach der Lieferung des Produkts an die Verkaufsstelle oder den technischen Kundendienst kostenlos behoben.
5. Müssen für die Reparatur Teile importiert werden, so kann die Gewährleistungsreparaturfrist um die für den Import des Teils erforderliche Zeit, höchstens jedoch um 40 Tage, verlängert werden.
6. Die Garantie ist ausgeschlossen:
  - a. mechanische Schäden und damit verbundene Mängel,
  - b. Schäden und Mängel, die durch unsachgemäßen Gebrauch, unsachgemäße Lagerung, Montage und Wartung entstehen,
  - c. Beschädigung und Abnutzung solcher Verbrauchselemente,
  - d. Tätigkeiten, die im Zusammenhang mit der Montage oder Wartung stehen und die gemäß dem Handbuch zu den Pflichten des Benutzers gehören.
7. Die Garantie gilt nicht, wenn:
  - a. seine Gültigkeitsdauer abgelaufen ist,
  - b. der Kunde das Produkt unter Verwendung von Nicht-Originalteilen repariert oder verändert hat,
  - c. der Defekt auf eine unsachgemäße Installation oder auf die Nichtbeachtung der in der Bedienungsanleitung enthaltenen Regeln für den korrekten Betrieb zurückzuführen ist,
  - d. das Produkt für andere Zwecke als den Hausgebrauch verwendet wird,
  - e. während des Transports entstandenen Schäden.
8. Es werden keine Duplikate der Garantiekarte ausgestellt.
9. Der Kunde hat Anspruch auf die folgenden kostenlosen Entschädigungen:
  - a. Produktreparatur,
  - b. Produktaustausch,
  - c. reduzierter Preis,
  - d. Beendigung eines Vertrages und voller Kostenersatz.

10. Zur Meldung eines Schadens:
  - a. Präsentieren Sie das Produkt oder seinen gemeldeten Teil.
  - b. Legen Sie den Kaufbeleg vor, der den Namen und die Adresse des Verkäufers, das Kaufdatum und den Kaufort, den Produkttyp oder eine gültige Garantiekarte mit einem Stempel der Verkaufsstelle enthält.
  - c. Wird das Produkt verschmutzt angeliefert, kann der technische Dienst die Annahme verweigern oder es auf Kosten des Kunden nach dessen schriftlicher Zustimmung reinigen.
11. Wird die Reklamation anerkannt, wird das Gerät repariert oder durch ein neues ersetzt, oder der Kunde erhält eine Rückerstattung. Die Transportkosten für den Service des Herstellers werden übernommen.
12. Wird der Antrag abgelehnt, erhält der Kunde eine ausführliche Begründung für die Entscheidung und das Gerät wird ihm innerhalb von 14 Tagen nach Bekanntgabe der Entscheidung auf seine Kosten zugesandt.

### **Inanspruchnahme**

Umgang mit Elektro- und Elektronik-Altgeräten (WEEE-Gesetzgebung).

Die Kennzeichnung auf der Verpackung, dem Zubehör oder der Gebrauchsanweisung weist darauf hin, dass Altgeräte und beigelegtes elektronisches Zubehör nicht zusammen mit anderem Hausmüll in die Hausmülltonne gegeben werden dürfen. Unsachgemäßer Umgang mit Elektronikschrott kann dazu führen, dass Schadstoffe in die Umwelt gelangen oder die Gesundheit durch unsachgemäße Entsorgung gefährdet wird. Trennen Sie diesen Abfall von anderen Abfällen und recyceln Sie ihn, damit die Rohstoffe wiederverwendet werden können. Beim Recycling ist die Wiederverwendung von Rohstoffen erlaubt.

## DECLARATION OF CONFORMITY



4Swiss Polska Sp. z o.o.  
al. Armii Ludowej 6/164  
00-571 Warsaw  
NIP: 929 18 63 212

I declare that the electrical device:

Automatic coffee maker, a line including models: 4Swiss Roma A24, Siena A23, Modena A22

To which this declaration applies, each complies with the directives:

- 2004/30/EC on electromagnetic compatibility
- 2014/35/EU- low voltage for electrical equipment
- RoHS (II) 2011/65/EC concerning restrictions on the use of hazardous substances in electrical and electronic equipment
- (WEEE) 2012/19 / EU - handling of waste electrical and electronic equipment
- 1935/2004/EC confirming that the materials and articles used are intended for food contact, including Commission Regulation No. 10/2011.

And meets the requirements of standards:

Electromagnetic compatibility (EMC):

- EN 55014-1:2006+A1:2009+A2:2011 - Electromagnetic compatibility - Requirements for household appliances, electric tools and similar apparatus - Part 1: Emission
- EN 55014-2:1997+A1:2001 +A2:2008 - Electromagnetic compatibility (EMC) - Requirements for household appliances, electric tools and similar apparatus - Part 2: Immunity to electromagnetic disturbances
- EN 61000-3-2:2014 - Electromagnetic compatibility (EMC) -- Part 3-2
- EN 61000-3-3:2013 - Electromagnetic compatibility (EMC) -- Part 3-3
- EN 61000-3-11:2000 - Electromagnetic compatibility (EMC) -- Part 3-11

Low-voltage electrical equipment (LVD):

- EN 60335-1:2012+A11 +A13 - Household and similar electrical appliances -- Safety in use -- Part 1: General requirements
- EN 60335-2-15:2016
- EN60335-2-14:2006 +A1+A11+A12 - Household and similar electrical appliances -- Safety in use -- Part 2-15: Particular requirements for equipment for heating liquids
- EN 62233:2008 - Methods for measuring electromagnetic fields of electrical household and similar equipment with regard to human exposure

The declaration was issued on 10.05.2024 on the basis of certificates: no. 15060841 013 issued on 21.07.2023 by TUV Rheinland and certificate no. 15060473 011 issued on 25.07.2023 by TUV Rheinland.

Signed by:  
Marcin Pawełczyk, CEO  
Warsaw 2024.05.10

Importer:  
4Swiss Polska Sp. z o.o.  
Aleja Armii Ludowej 6/164  
00-571 Warsaw  
[www.4swiss.eu](http://www.4swiss.eu)



Made in China